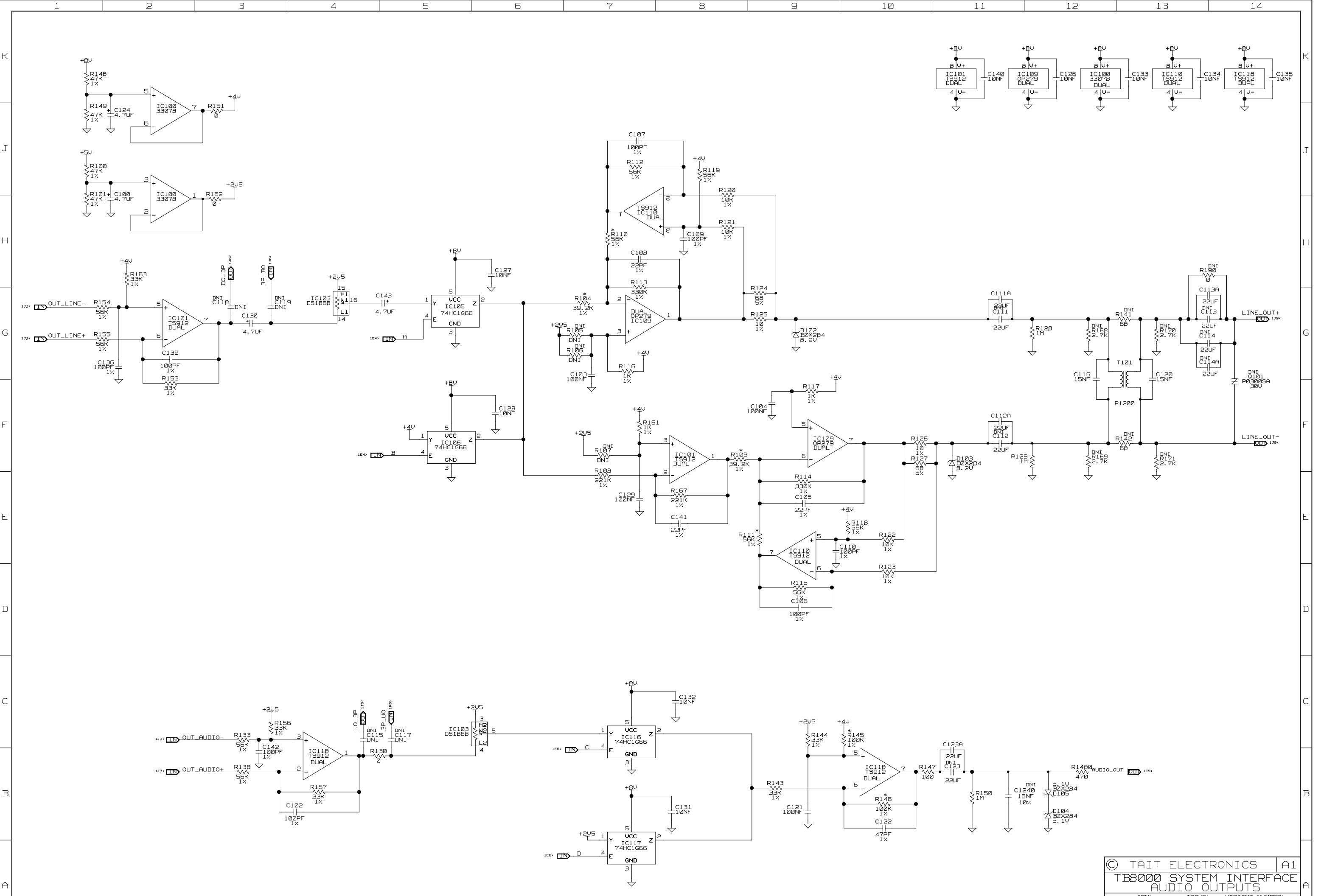


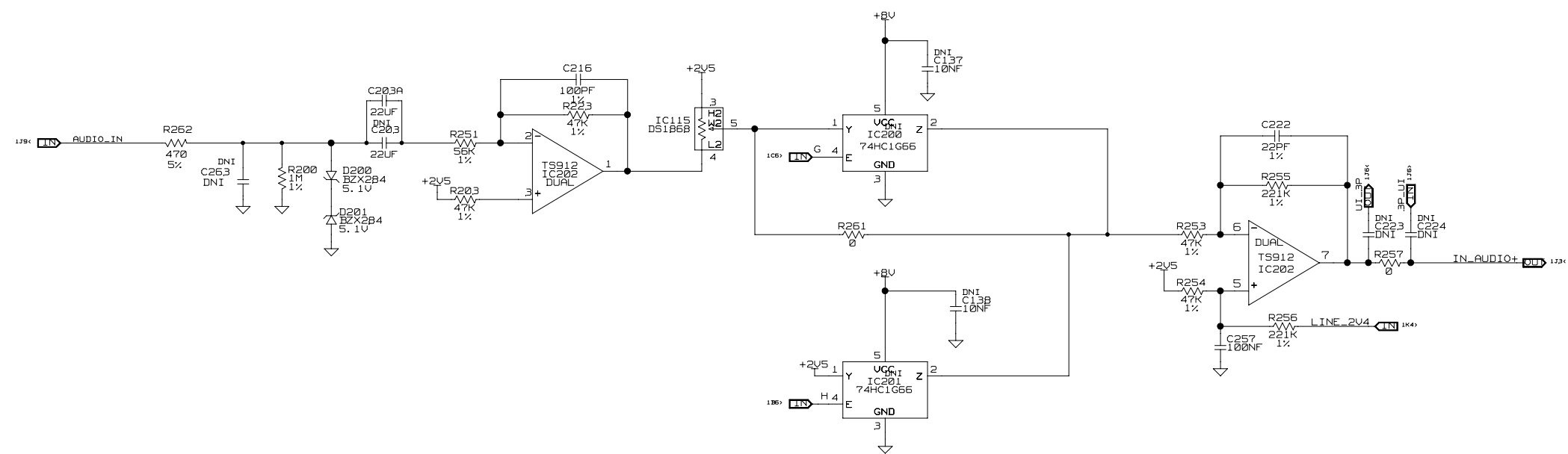
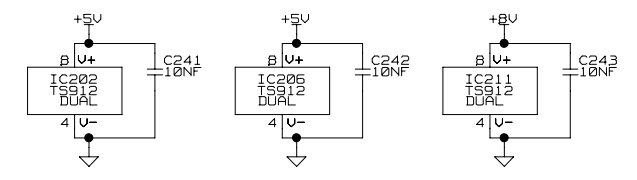
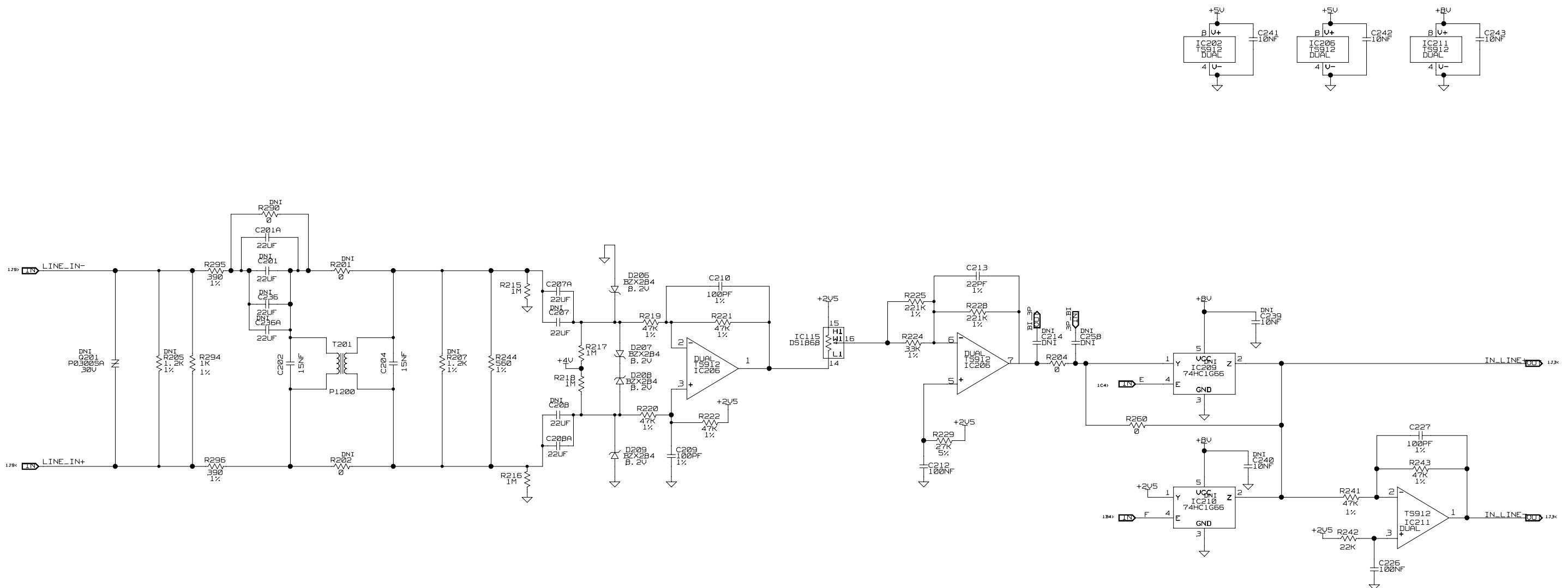
08A	ECO 101200497 CHANGE PLS01 CONNECTOR	TB	ML	CK	ML	05/01/05
07A	DCO 02026-004 CORRECTION TO CIRCUITRY	CJK	ML	CK	ML	200CT04
06A	DCO 02026-003 ADDITIONAL DIGITAL OUTPUTS ADDED	CJK	ML	CK	ML	29SEP04
05A	ECO 101200072	LA	LA	CK	LA	15/5/03
04A	DCO 02026-002	LA	LA	CK	LA	17/2/03
03A	CLONED FROM 220-02026-02	LA				9/2/02
02A	CLONED FROM 220-02026-01	LA				2/8/02
01A	CLONED FROM 226-00227-05	PG				4/6/02
REV/ISS	AMENDMENTS	DRAWN	CHKD	D.O.	APVD	DATE

© TAIT ELECTRONICS		A1
TB8000 SYSTEM INTERFACE CONNECTORS & MISC.		
IPN: 220-02026-08	ISSUE: A	VARIANT NUMBER: XBAS0B0
FILE DATE: Tue Jun 28 13:35:32 2005		
ENGINEER: ML	FILE NAME: 220_02026	SHEET NUMBER: 1 OF 6



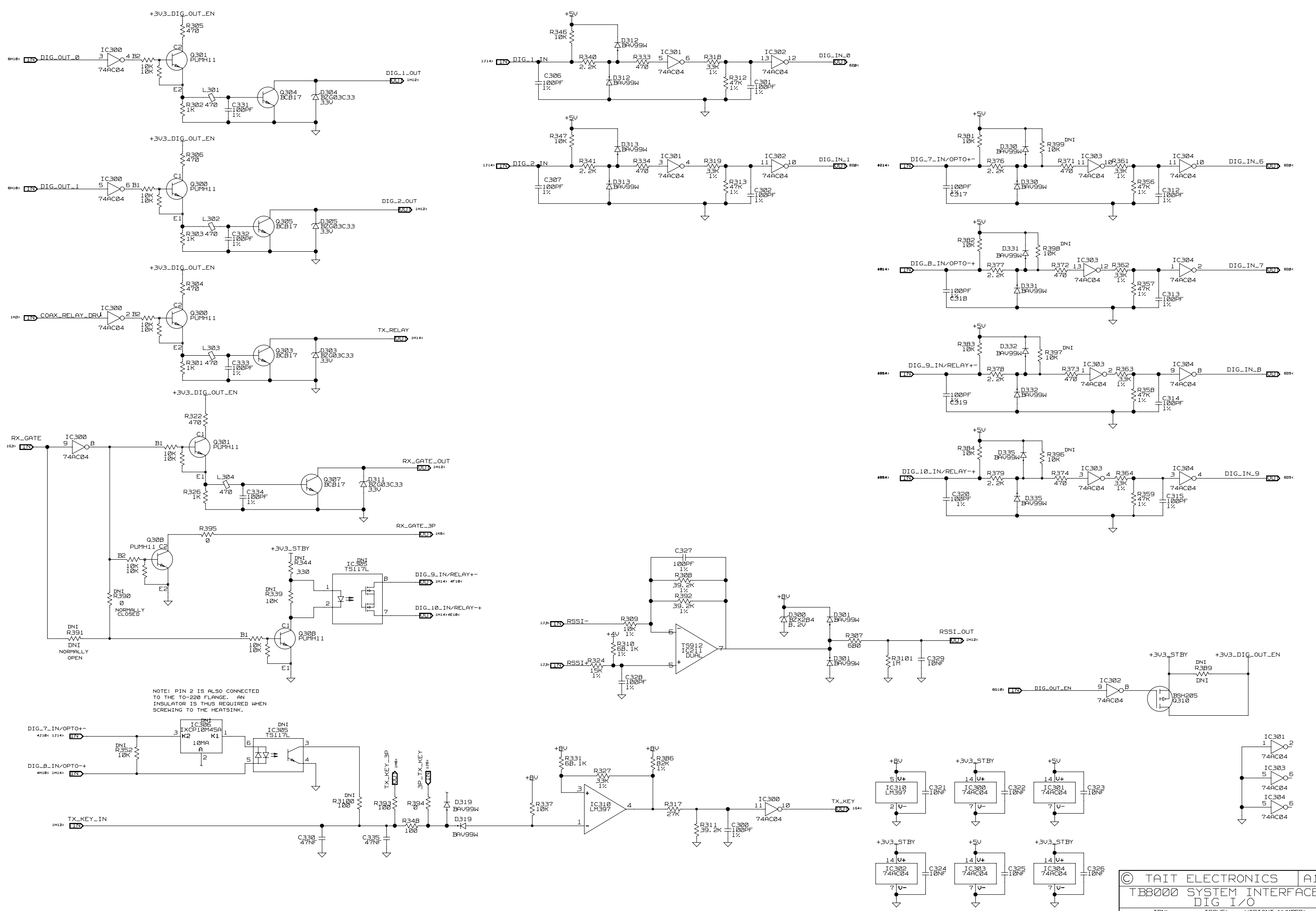
© TAIT ELECTRONICS		A1
TB8000 SYSTEM INTERFACE		
AUDIO OUTPUTS		
IPN: 220-02025-08	ISSUE: A	VARIANT NUMBER: XBAS0B0
FILE DATE: Tue Jun 28 13:17:18 2005		
ENGINEER: ML	FILE NAME: 220_02025	SHEET NUMBER: 2 OF 6

REV./ISS	AMENDMENTS	DRAWN	CHKD	D. O.	APVD	DATE
1						
2						
3						
4						
5						
6						
7						
8						
9						
10						
11						
12						
13						
14						



© TAIT ELECTRONICS		A1
TB8000 SYSTEM INTERFACE		
AUDIO INPUTS		
IPN: 220-02025-08	ISSUE: A	VARIANT NUMBER: XBAS0B0
FILE DATE: Tue Jun 28 13:17:32 2005		
ENGINEER: ML	FILE NAME: 220_02025	SHEET NUMBER: 3 OF 6

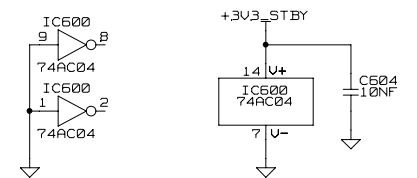
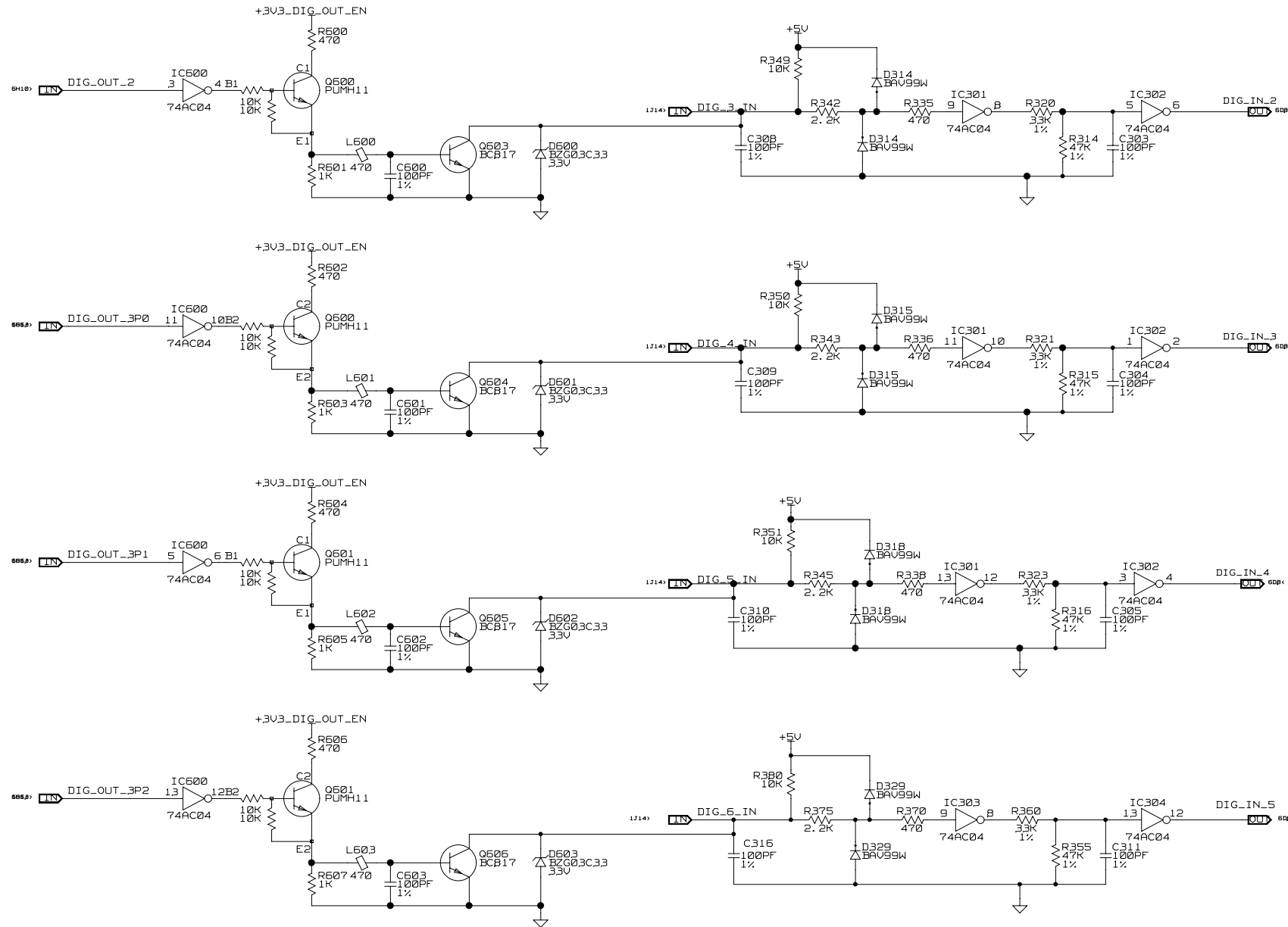
REV/ISS	AMENDMENTS	DRAWN	CHKD	D. O.	APVD	DATE
1						
2						
3						
4						
5						



NOTE: PIN 2 IS ALSO CONNECTED TO THE TO-220 FLANGE. AN INSULATOR IS THUS REQUIRED WHEN SCREWING TO THE HEATSINK.

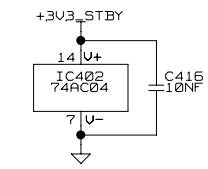
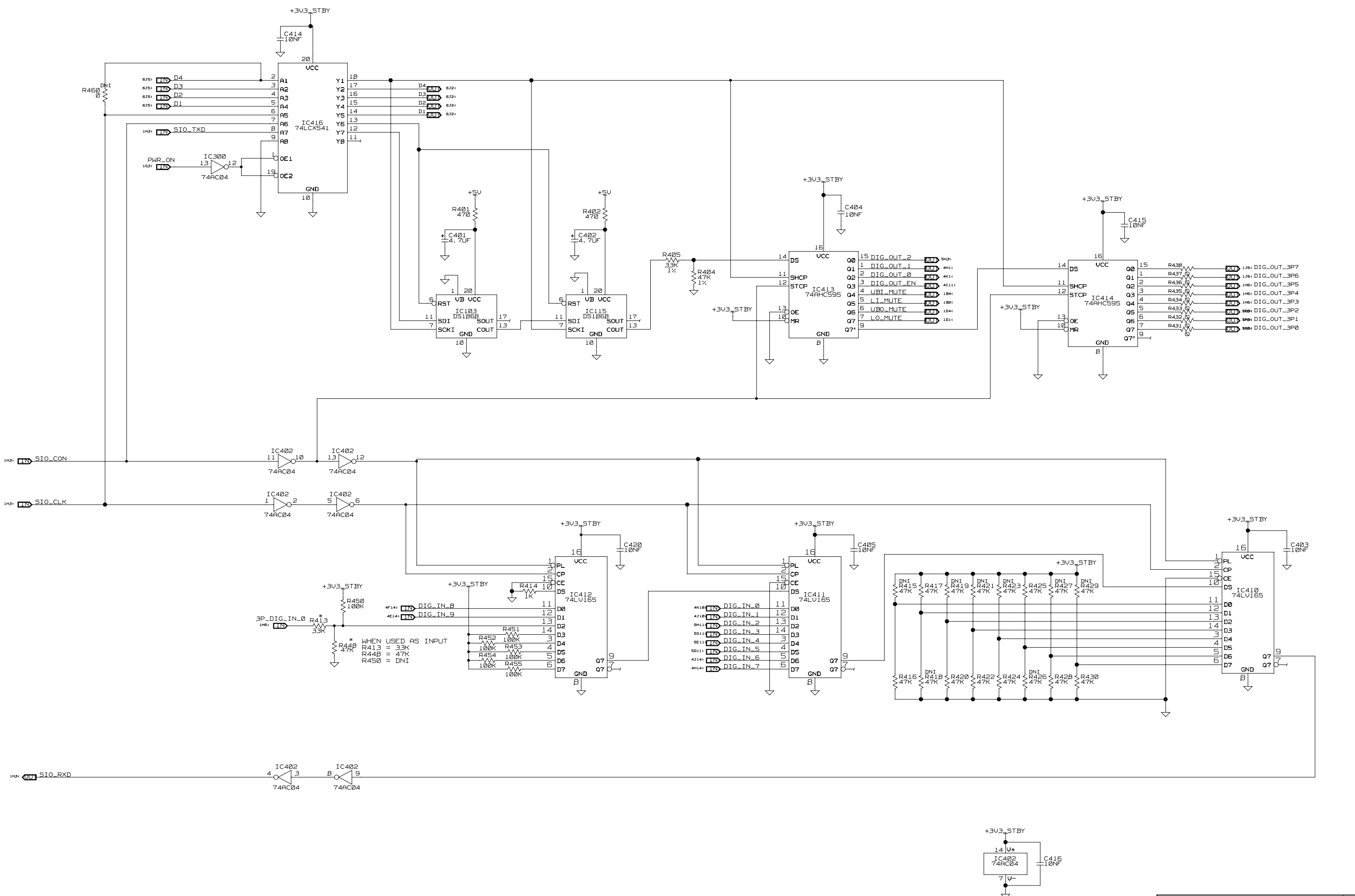
© TAIT ELECTRONICS		A1
TB8000 SYSTEM INTERFACE DIG I/O		
IPN: 220-02025-08	ISSUE: A	VARIANT NUMBER: XBAS0B0
FILE DATE: Tue Jun 28 13:17:54 2005		
ENGINEER: ML	FILE NAME: 220_02025	SHEET NUMBER: 4 OF 6

REV/ISS	AMENDMENTS	DRAWN	CHKD	D. O.	APVD	DATE
1						
2						
3						
4						
5						
6						
7						
8						
9						
10						
11						
12						
13						
14						



© TAIT ELECTRONICS		A1
TB8000 SYSTEM INTERFACE		
DIG I/O		
IPN: 220-02025-08	ISSUE: A	VARIANT NUMBER: XBAS0B0
FILE DATE: Tue Jun 28 13:18:04 2005		
ENGINEER: ML	FILE NAME: 220_02025	SHEET NUMBER: 5 OF 6

REV/ISS	AMENDMENTS	DRAWN	CHKD	D. O.	APVD	DATE
1						
2						
3						
4						
5						



© TAIT ELECTRONICS		A1
TB8000 SYSTEM INTERFACE DIGITAL		
IPN: 220-02025-08	ISSUE: A	VARIANT NUMBER: XBAS0B0
FILE DATE: Tue Jun 28 13:18:17 2005		
ENGINEER: ML	FILE NAME: 220_02025	SHEET NUMBER: 6 OF 6